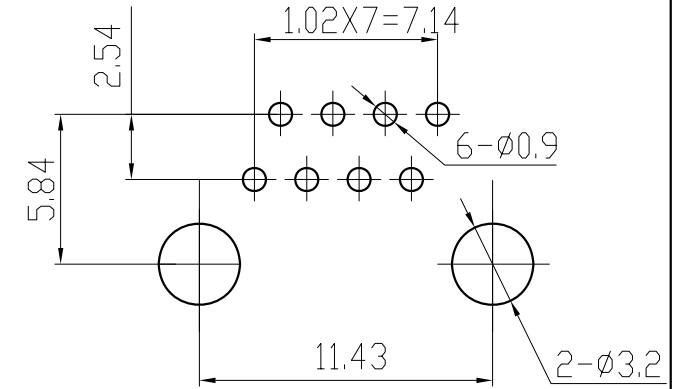
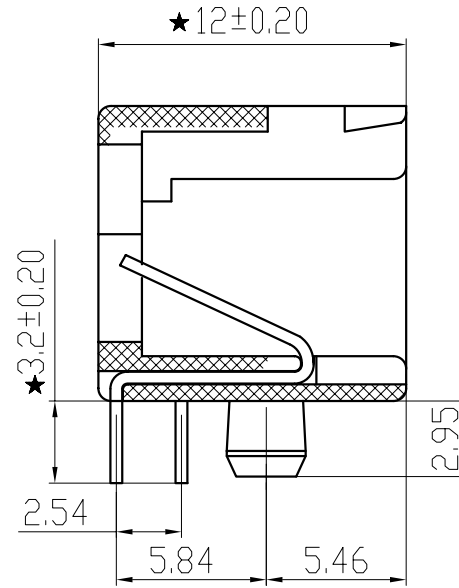
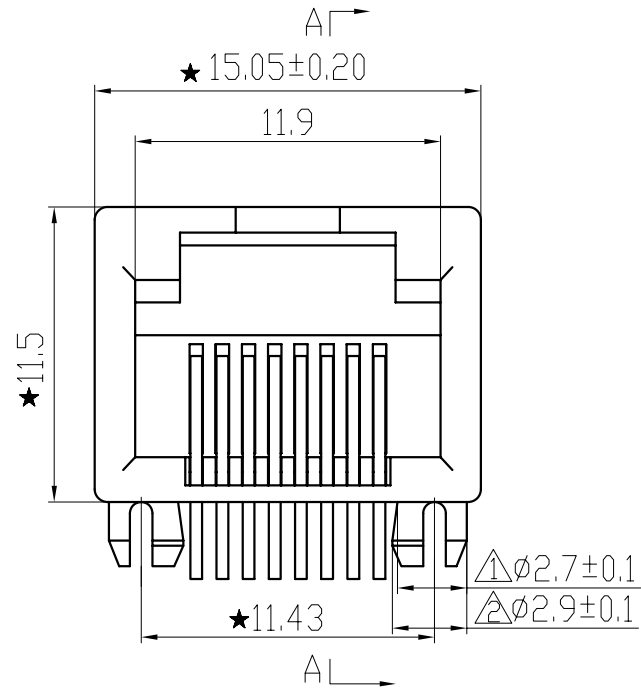
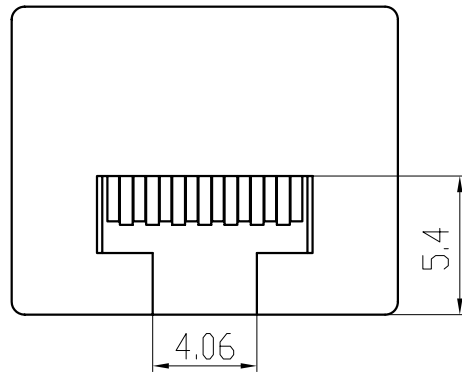


REVISION RECORD		
REV	DESCRIPTION	DATE
A/0		2007/08/10
A/1	Update edition	2008/06/05
A/2	△ $\phi 2.8$ 改为 $\phi 2.7$	2013/03/10
	△ $\phi 3.0$ 改为 $\phi 2.9$	2013/03/10



PC Board Layout



NOTES:

ELECTRICAL:

- VOLTAGE RATING : 125 VAC RMS.
- CURRENT RATING : 1.5 AMP.
- CONTACT RESISTANCE : 30 MILLIOHMS MAX.
- INSULATION RESISTANCE : 500 MEGOHMS MIN @ 500 VDC.
- DIELECTRIC STRENGTH : 1000 VAC RMS 50Hz or 60Hz, 1MIN.

MECHANICAL:

- HOUSING & INSERT MATERIAL : PBT UL94V-0.
- CONTACT MATERIAL : DIAMETER 0.45MM PHOSPHOR BRONZE GOLD PLATING OVER NICKEL.
- MATING/UNMATING FORCE : 2.2KG.F MAX.
- RETENTION STRENGTH : 7.7KG.F MIN BETWEEN JACK AND PLUG.
- OPERATING LIFE : 600 CYCLES MIN.

ENVIRONMENTAL:

- STORAGE : -10°C ~ +40°C RELATIVE HUMIDITY<70%.
- OPERATION : -40°C ~ +85°C.

Remark:

- Tolerances Unless Otherwise Specified  
 $.0 \pm 0.25$   $.00 \pm 0.20$   $.000 \pm 0.10$
- The mark with ★ is the key inspection dimension for QC

TELL	0769-81585156		Http://www.coorle.cn		Coorle Technology		
Fax	0769-81605156						
Units	MM	Drawing			Material	Name	单胞MINI 8P8C插座
Scale	1 : 1	Check					
Rev'	A / 1	Approval			HOUSING	PBT	Part Number
View		Date	2008/06/05		PIN	Qsn6.5-0.1	File Name